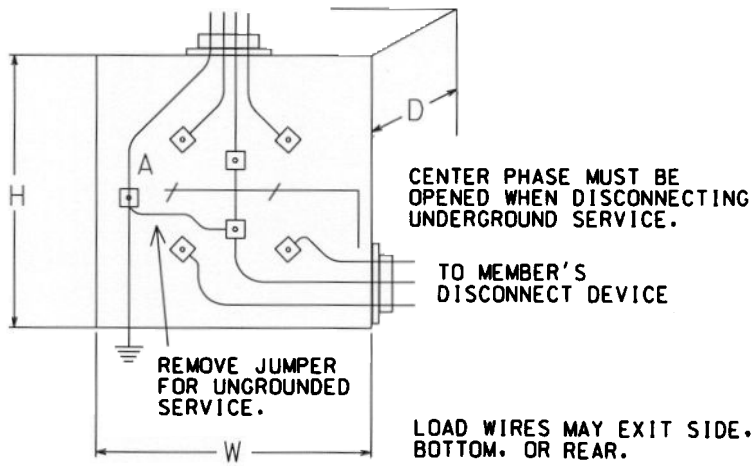
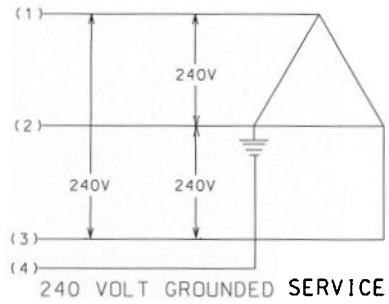
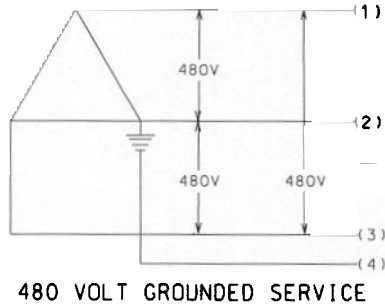


# OVERHEAD 3W 3 PHASE 5 TERMINAL METER BASE 240 OR 480 VOLT WITH 4th WIRE



ALL DIMENSIONS  
ARE NOMINAL

200 AMPERE METER BASE 240 VOLT	H=17", W=10", D=5 1/4", HUB=2" MAXIMUM WIRE SIZE 350MCM MAXIMUM 75HP W/BYPASS AND JAW RELEASE
-----------------------------------	---

200 AMPERE METER BASE 480 VOLT	H=17", W=10", D=5 1/4", HUB=2" MAXIMUM WIRE SIZE 350MCM MAXIMUM 150HP W/BYPASS AND JAW RELEASE
-----------------------------------	--

**NOTES:**

1. WHEN USED ON 480 VOLT, THIS METER BASE WILL BE IDENTIFIED AS PER USE ON 480 VOLT ONLY.
2. NO. 6 COPPER- CONTINUOUS GROUND WIRE FROM METER BASE (CONNECTION "A") TO GROUND ROD.