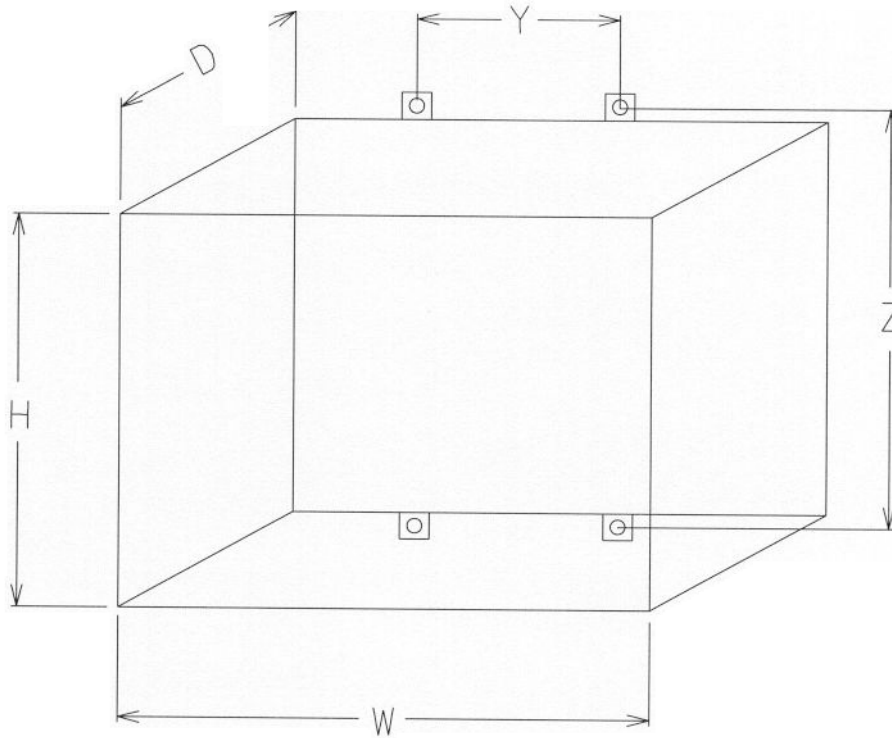


WALL MOUNTED METERING TRANSFORMER ENCLOSURE USED PRIMARILY TO ENCLOSE METERING TRANSFORMERS



ALL DIMENSIONS
ARE NOMINAL

XXAN-25 H=24¹/₄" , W=25¹/₄" , D=12¹/₄" , Y=19" , Z=26"

XXAN-35 H=34¹/₂" , W=34¹/₂" , D=12¹/₄" , Y=26" , Z=38"

XXAN-48 H=48" , W=48" , D=12" , Y=29" , Z=50¹/₂"

COOPERATIVE WILL:
FURNISH C/T AND METER.
FURNISH AND INSTALL METER AND
METER WIRING.

MEMBER WILL:
FURNISH AND INSTALL ENCLOSURE AND
ALL OTHER REQUIRED MATERIALS
FURNISH & INSTALL METER BASE AND C/T.
AS DIRECTED BY COOPERATIVE