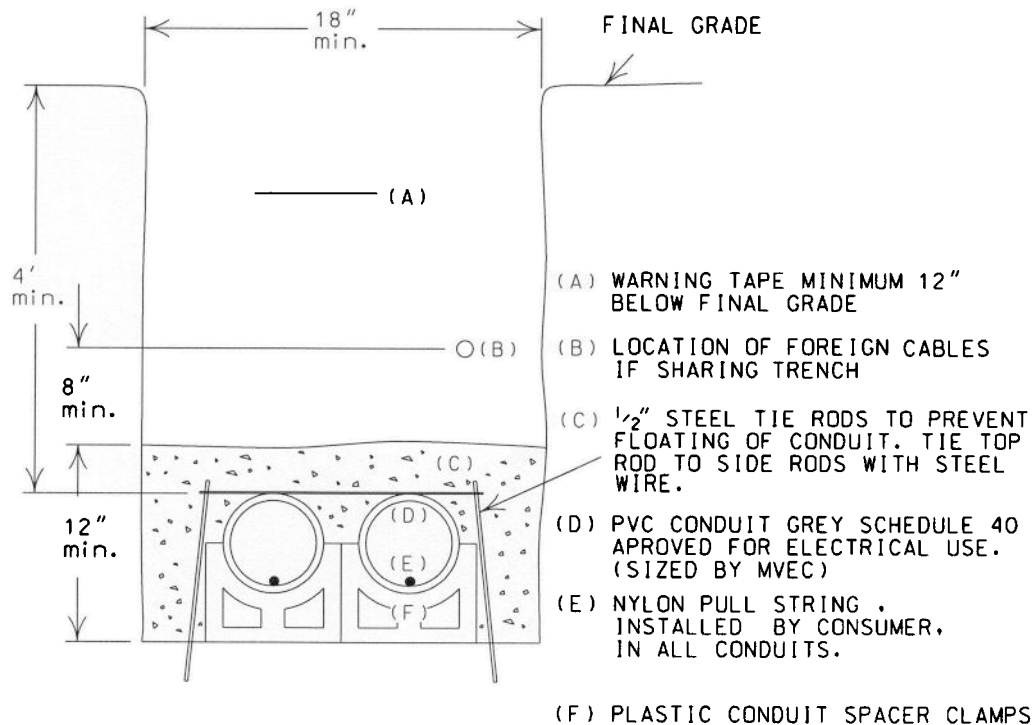
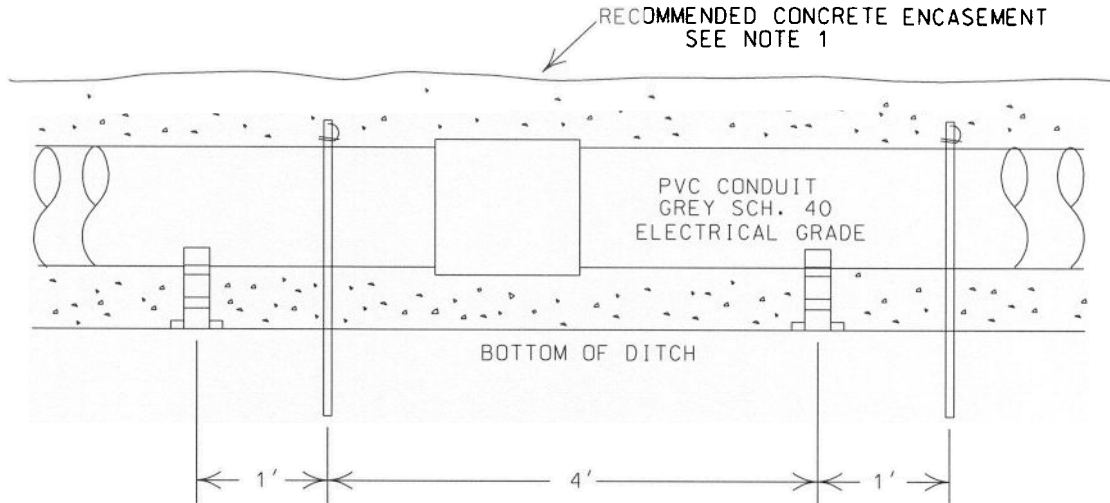


MINIMUM REQUIREMENTS FOR CONCRETE ENCASED CONDUIT (2 CONDUITS-RADIAL FEED) (-1 CONDUIT- LOOP FEED)



NOTES:

1. CONCRETE TO BE 1:3:6 MIX WITH NO AGGREGATE LARGER THAN 3/4" - 3" MINIMUM COVER REQUIRE AROUND ALL CONDUITS.
2. MVEC REPRESENTATIVE TO INSPECT AND APPROVE CONDUIT INSTALLATION PRIOR TO CONCRETE ENCASEMENT.