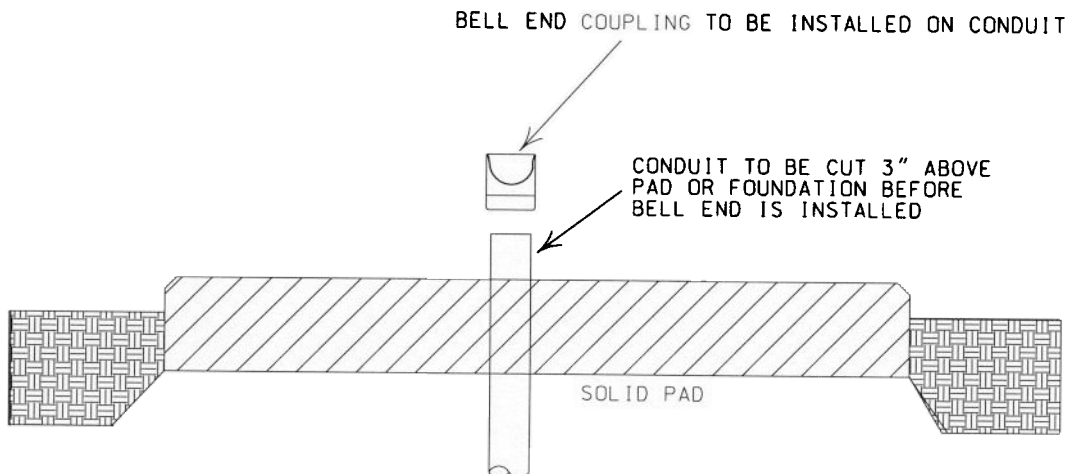
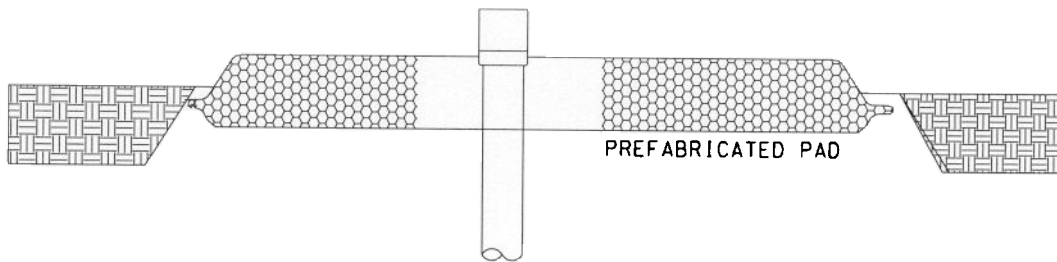


BELL END COUPLING INSTALLATION CONDUIT TERMINATIONS



NOTE:
 PLACE BELL COUPLING ON END OF CONDUIT.
 (EXCEPTION METER ENCLOSURES)
 COVER ENDS OF UNUSED CONDUITS.
 (BELL COUPLING DESIGNED TO PREVENT
 DAMAGE TO WIRE WHEN PULLED)